

MODEL**XC****SERIES 14**

HOPPER SHAPE KNIFE GATE VALVE

The **XC (SER.14)** model knife gate is a uni-directional wafer valve designed for industrial bulk handling service applications (powdered and granular products). The special design of the body allows for easy passage of the fluid and makes it ideal for use as silo outlet valve. Widely used in industries such as:

- Power plants
- Chemical plants
- etc.
- Food and Beverage
- Mining

The valve is normally installed in the reverse position (seat upstream) in order to avoid problems like build-up in valve body, seat wear, difficult closing,...

Sizes: DN 2"/50mm to DN 24"/600mm (larger diameters on request)

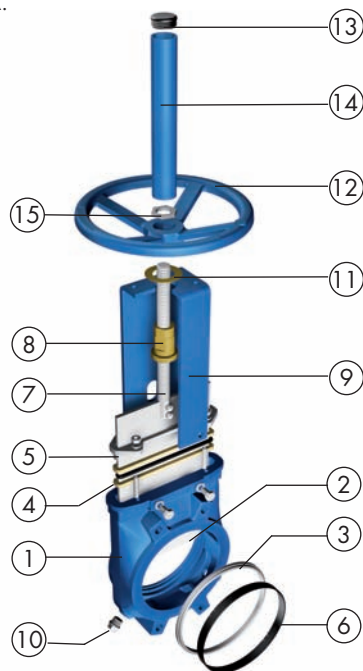
Working pressure:	(Standard)	OFF SEATING	ON SEATING
DN 2"/50mm to DN 10"/250mm		50 psi/(3 kg/cm ²)	150psi/(10 kg/cm ²)
DN 12"/300mm to DN 16"/400mm		30 psi/(2 kg/cm ²)	90psi/(6 kg/cm ²)
DN 18"/450mm		22psi/(1,5 kg/cm ²)	75psi/(5 kg/cm ²)
DN 20"/500mm to DN 24"/600mm		15psi/(1 kg/cm ²)	60psi/(4 kg/cm ²)

Standard flange connection: DIN PN 10 and ANSI B16.5 (class 150)

Note: other flange connections are available on request.

Directives: DIR 2006/42/EC (MACHINES)
 DIR 97/23/EC (PED) Fluid: Group I(b), II (Cat. I, mod. A)
 DIR 94/9/EC (ATEX)

All valves are tested prior to shipping in accordance with the standard developed by the Quality Control Department at ORBINOX.



STANDARD PARTS LIST

Part:	Cast Iron:	Stainless Steel:
1- Body	GJL 250 (GG25)	CF8M
2- Gate	AISI 304	AISI 316
3- Seat	Metal or EPDM	
4- Packing	PTFE Impreg. Synth. Fiber (With a EPDM o-ring)	
5- Gland Follower	Aluminium (DN 2"/50mm to DN 12"/300mm) or Ductile Iron (DN 14"/350mm to DN 40"/1000mm)	CF8M
6- Seat retainer ring	AISI 304	AISI 316
7- Stem	AISI 430	
8- Stem nut	Brass	
9- Yoke	Carbon Steel - Epoxy coated	
10- Cleaning	Carbon Steel	
11- Friction washer	Brass	
12- Handwheel	$\varnothing \leq 12,20"/310\text{mm}$: Ductile Iron / $\varnothing \geq 14"/410\text{mm}$: GJL 250 (GG25)	
13- Cap	Plastic	
14- Stem Protector	Epoxy-coated Carbon Steel	
15- Nut	Zinc plated Carbon Steel	



Reserves the right to change specifications without notice

ORBINOX CANADA, ORBINOX USA, ORBINOX BRAZIL, ORBINOX SPAIN, ORBINOX UK, ORBINOX FRANCE, ORBINOX GERMANY, ORBINOX INDIA, ORBINOX CHINA, ORBINOX S.E.A.

www.orbinox.com

OBX 02/13 Revision 0
XC(SER.14)-1

MODEL

XC

SERIES 14



DESIGN FEATURES

BODY:

Wafer style cast **monoblock** design with reinforced ribs in larger diameters for extra body strength.

Internal cast gate wedges and guides allow for tighter shut-off.

Special cast gate supports prevent seat from deflecting off the gate when valve is installed in the reverse position of the flow direction.

Wide face to face and internal design with flushing corners avoid any build up of solids that would prevent valve from closing.

Full port design for greater flow capacity and minimal pressure drop.

Standard flush ports allow cleaning of solids trapped within the body cavities that can obstruct the flow or sealing in the closed position.

Purge ports can be injected with air, steam, liquids, etc. depending on the media.

GATE:

Stainless steel gate as standard.

Gate is polished on both sides to avoid jamming and seat damage.

Bottom of the gate edge is machined to a bevel to cut through solids for a tighter seal in the closed position. On request: thickness and/or material of the gate can be changed for higher pressure requirement.

SEAT: (resilient)

Unique design that mechanically locks the seat in the internal of the valve body with a stainless steel retainer ring.

Standard EPDM also available in different materials such as Viton, PTFE, etc.

PACKING:

Long-life packing with several layers of braided fibre plus an EPDM o-ring, with an easy access packing gland ensuring a tight seal.

Long-life braided packing is available in a wide range of materials.

STEM:

The standard stainless steel stem offers a long corrosion resistant life.

For rising stem handwheel actuators only, a stem protector is provided for additional protection against dust while the valve is in the open position.

ACTUATORS:

All actuators supplied by **ORBINOX** are interchangeable, and supplied with a standard mounting kit to allow for interchangeability on site.

YOKE or ACTUATOR SUPPORT:

Made of EPOXY coated steel (stainless steel available on request).

Compact design makes it extremely robust even under the most severe conditions. Reinforced design is standard starting from DN 10"/250mm.

EPOXY COATING:

The epoxy coating on all **ORBINOX** cast iron and carbon steel valve bodies and components is electrostatically applied making the valves to be corrosion resistant with a high quality finished surface.

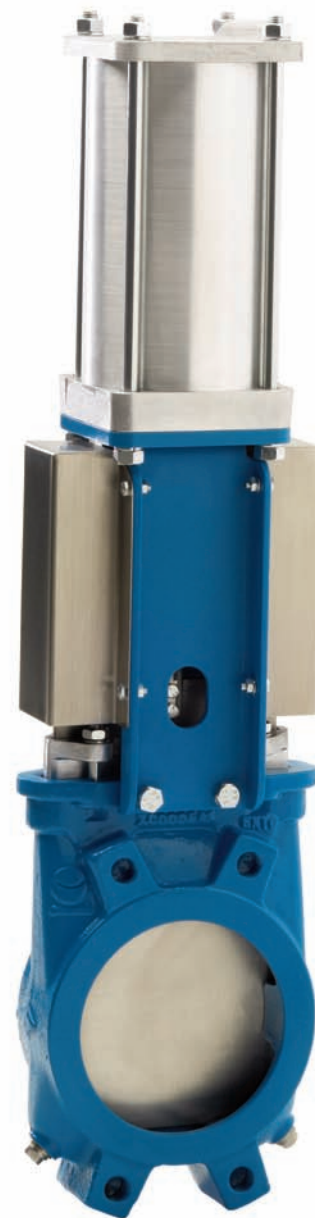
The **ORBINOX** standard colour is RAL-5015 blue.

GATE SAFETY PROTECTION:

***ORBINOX** automated valves are provided with gate guards in accordance with **EU** Safety Standards.

The design feature prevents any objects from being caught accidentally while the gate is moving.

* IN EUROPE ONLY



MODEL

XC

SERIES 14



OTHER OPTIONS

Bonnet (Fig.1):

Assures tight sealing to atmosphere for use with hazardous gas or fluids.
Reduces packing maintenance.

Other materials of construction:

Special alloys such as AISI 317, 254SMO, Hastelloys, Titanium,...

Fabricated valves:

ORBINOX is equipped for in house fabrication of special valves.
Depending on the design, diameter, pressures, material of construction,...

SURFACE TREATMENTS

Valve components can be protected or coated for a longer life expectancy, depending on the application and the service conditions.

At **ORBINOX** we can offer treatments and coatings for the valve components to improve the properties against **abrasion** (Stellite, Polyurethane...), **corrosion** (Halar, Rilsan, Galvanised...) and **adherence** (Polishing, PTFE...).

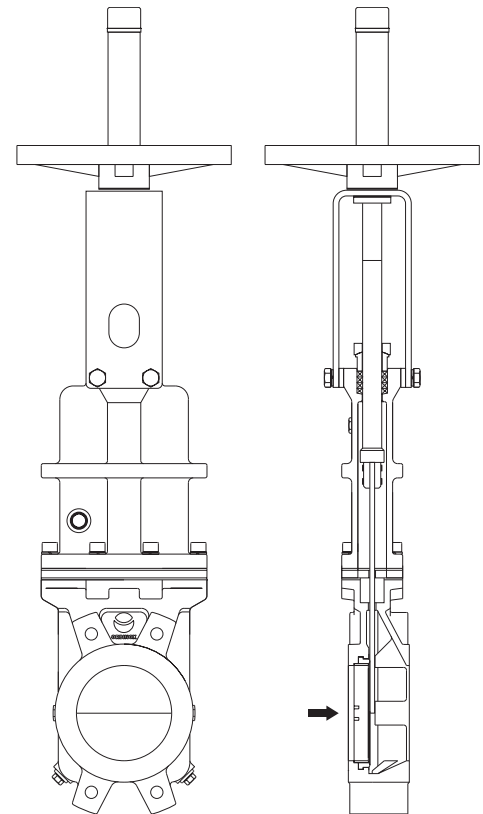


Fig.1

ATEX



Please contact our Orbinox representative for info and availability.
Some considerations:

- Hand operated XC(SER.14) valves have been subjected to an ignition risk assessment according to DIN EN 13463: 1-5 and they are out the scope of application of ATEX Directive. Therefore hand operated valves are suitable for ALL ATEX zones.
- Electrical, pneumatical and hydraulically operated valves must be subjected to a conformity assesment of their own and also of the whole unit valve-actuator to get EC Type Approval to Directive 94/9.

MODEL

XC

SERIES 14



ACTUATOR TYPES

Manual:

Handwheel (rising & non-rising stem)
Chainwheel
Lever
Bevel Gear
Others (square nut...)

Automatic:

Electric
Double Acting Pneumatic
Single Acting Pneumatic
Hydraulic

All actuators supplied by ORBINOX are interchangeable.

FAIL SAFE SYSTEMS

Used on pneumatic actuated valves,

SINGLE ACTING / SPRING RETURN

Available from DN 2"/50mm to DN 8"/200mm

Options:

- Fail open
- Fail closed

SINGLE ACTING / VOLUME TANK

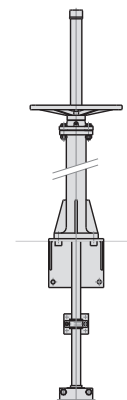
Available for all sizes (DN>8"/200mm)

Options:

- Pneumatic Failsafe
- Pneumatic or Electric Failsafe

ACCESSORIES

- Mechanical stops
- Locking device
- Manual override
- Solenoid valves
- Positioners
- Limit switches
- Proximity switches
- Floor stands
- Stem extensions



Wide range of valve extensions available.

For further information about fail safe systems and valve extensions, please see EX(SER.10) chapter.

We recommend consultation with our technical department.

TEMPERATURE CHART

SEAT / SEALS				PACKING				
Material	Max.Temp.(F°)	(°C)	Applications	Material	Max. Temp.	(F°)	(°C)	pH
Metal/Metal	>482	>250	High temp. Low tightness.	Dry cotton (AS)		122	50	6 - 8
EPDM (E)	248	120	Acids and non mineral oils.	PTFE impregn. synth. fibre (ST)		464	240	2 - 13
Nitrile (N)	248	120	Resistance to petroleum products.	Braided PTFE (TH)		500	260	0 - 14
Viton (V)	392	200	General chemical service. High temperature.	Graphited (GR)		1112	600	0 - 14
Silicone (S)	482	250	Food service. / High temperature.	Ceramic fibre (FC)		2192	1200	—
PTFE (T)	482	250	Corrosion resistance.					

NOTE: all types include an elastomere O-ring (same material as seal), excluding TH, GR and FC.

More details and other materials under request.

SEAT TYPES



METAL / METAL

- For applications with:
- High temperature
 - High density media application
 - When full tightness is not required



RESILIENT, TYPE "A"

- Standard resilient seat
- Temperature limitations according to seat material selected. Consult the above chart or our technical department for more information.
- Replaceable seat retainer ring.



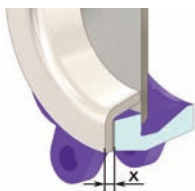
TYPE "B" SEAT (metal/metal)

- For applications with:
- High temperature
 - High density media application
 - When full tightness is not required
 - Replaceable design without dismantling the valve



TYPE "B" SEAT (resilient)

- Temperature limitations according to seat material selected. Consult the above chart or our technical department for more information.
- Replaceable and reinforced seat ring available in different materials such as: stainless steel, CA15, Ni Hard,...



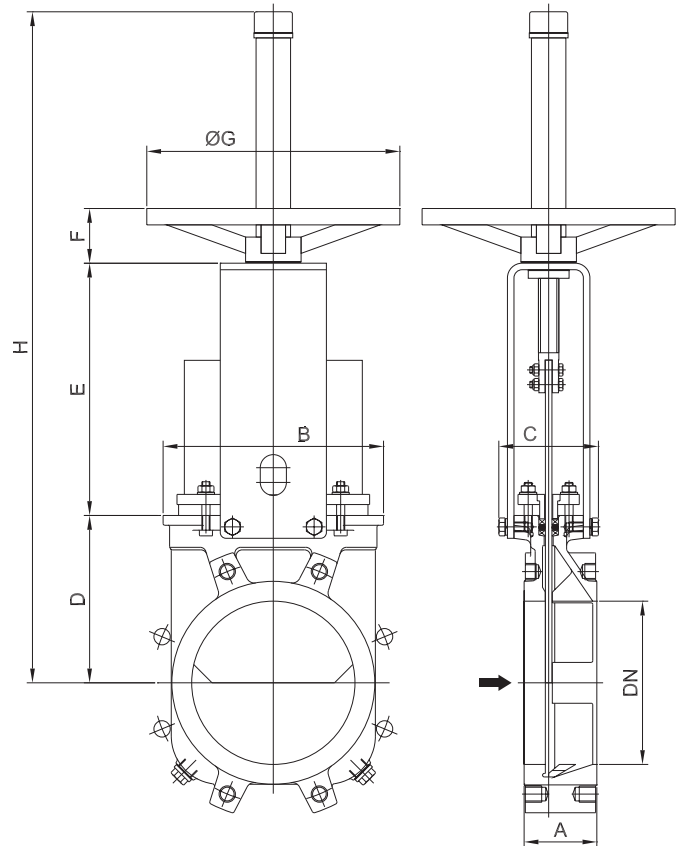
DEFLECTION CONE "C"

- Deflects the media away from any internal exposed parts of the valve such as gate guides, seat, etc.
- Different types of material available such as AISI 316 stainless, CA15, Ni-Hard, etc.

Face to face dimensions increase:
 DN 2"/50mm to DN10"/250mm X = 0.35"/9mm
 DN 12"/300mm to DN24"/600mm X = 0.47"/12mm
 Larger diameters on request

MODEL**XC****SERIES 14****HANDWHEEL (rising stem)**

- Standard handwheel actuator.
- Consists of:
 - Handwheel: Epoxy coated Cast Iron
 - Stem
 - Stem nut
 - Stem protector
- Available from DN 2"/50mm to DN 24"/600mm
- Options (on request):
 - Locking Device
 - Extensions and floor stand



DN(“/mm)	A	B	C	D	E	F	ØG	H	Weight (lbs./kg.)
2"/50	1,81/46	4,88/124	3,94/100	4,13/105	5,07/129	1,85/47	8,86/225	16,53/420	15/7
2,5"/65	1,81/46	5,47/139	3,94/100	4,53/115	5,79/146	1,85/47	8,86/225	17,71/450	18/8
3"/80	2,52/64	6,06/154	3,94/100	4,88/124	6,37/162	1,85/47	8,86/225	18,70/475	20/9
4"/100	2,52/64	6,85/174	3,94/100	5,52/140	7,36/187	1,85/47	8,86/225	20,47/520	24/11
5"/125	2,75/70	7,55/192	3,94/100	6/150	8,30/211	1,85/47	8,86/225	23,62/600	33/15
6"/150	2,99/76	8,54/217	3,94/100	6,70/170	9,33/237	1,85/47	8,86/225	25,47/647	40/18
8"/200	3,50/89	10,62/270	4,80/122	8,07/205	12,16/309	2,64/67	12,20/310	32,36/822	66/30
10"/250	4,48/114	12,83/326	6,70/170	9,44/240	14,33/364	2,64/67	12,20/310	39,84/1012	97/44
12"/300	4,48/114	14,96/380	6,70/170	11,02/280	16,30/414	2,64/67	12,20/310	43,38/1102	128/58
14"/350	5/127	17,24/438	6,70/170	12,59/320	19,13/486	2,60/66	16,14/410	51,37/1305	217/96
16"/400	5,51/140	19,40/493	6,70/170	13,78/350	21,10/536	2,60/66	16,14/410	54,53/1385	274/124
18"/450	5,98/152	21,49/546	6,70/170	16,53/420	23,15/588	2,60/66	21,65/550	62,28/1582	370/168
20"/500	5,98/152	24,40/620	6,70/170	17,71/450	25,51/648	2,60/66	21,65/550	65,82/1672	424/192
24"/600	7,00/178	28,11/714	6,70/170	20,86/530	29,44/748	2,60/66	21,65/550	77,24/1962	540/245

Reserves the right to change specifications without notice

OBX 02/13 Revision 0

XC(SER.14)-6

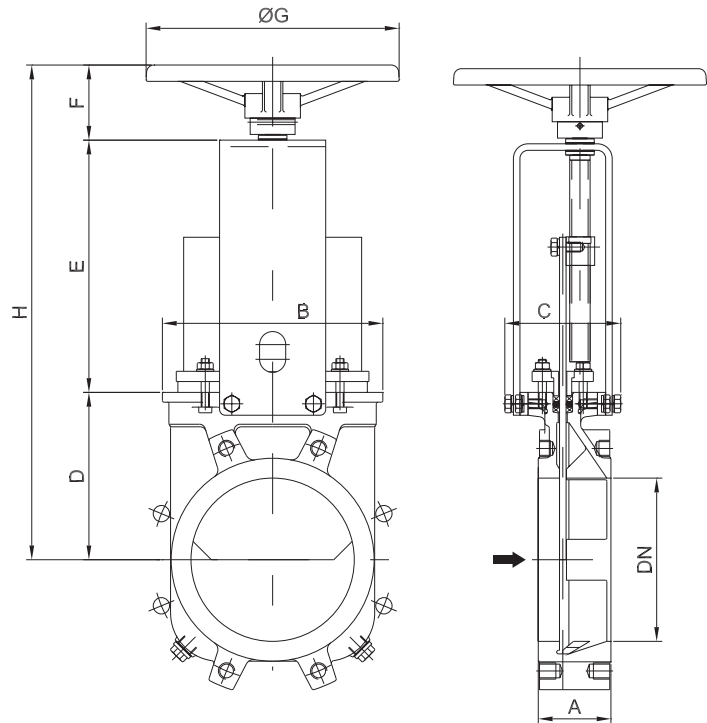
ORBINOX CANADA, ORBINOX USA, ORBINOX BRAZIL, ORBINOX SPAIN, ORBINOX UK, ORBINOX FRANCE, ORBINOX GERMANY, ORBINOX INDIA, ORBINOX CHINA, ORBINOX S.E.A.

www.orbinox.com

MODEL**XC****SERIES 14**

HANDWHEEL (non-rising stem)

- Recommended for installation where space is limited.
- Consists of:
 - Handwheel: Epoxy coated Cast Iron
 - Stem
 - Yoke bushing
 - Stem nut fixed to the gate
- Available from DN 2"/50mm to DN 24"/600mm
- Options:
 - Locking Device
 - Extensions
 - Square Nut Drive



DN("/mm)	A	B	C	D	E	F	ØG	H
2"/50	1,81/46	4,88/124	4,92/125	4,13/105	5,20/132	3,07/78	8,86/225	12,40/315
2,5"/65	1,81/46	5,47/139	4,92/125	4,13/115	5,87/149	3,07/78	8,86/225	13,46/342
3"/80	2,51/64	6,06/154	4,92/125	4,88/124	6,49/165	3,07/78	8,86/225	14,44/367
4"/100	2,51/64	6,85/174	4,92/125	5,52/140	7,48/190	3,07/78	8,86/225	16,06/408
5"/125	2,75/70	7,55/192	4,92/125	5,90/150	8,42/214	3,07/78	8,86/225	17,40/442
6"/150	2,99/76	8,54/217	4,92/125	6,70/170	9,44/240	3,07/78	8,86/225	19,21/488
8"/200	3,50/89	10,63/270	5,60/142	8,07/205	12,00/305	3,62/92	12,20/310	23,70/602
10"/250	4,48/114	12,84/326	6,70/170	9,44/240	14,17/360	3,62/92	12,20/310	27,24/692
12"/300	4,48/114	14,96/380	6,70/170	11,02/280	16,17/410	3,62/92	12,20/310	30,78/782
14"/350	5/127	17,24/438	6,70/170	12,59/320	19,17/487	4,33/110	16,14/410	36,10/917
16"/400	5,51/140	19,40/493	6,70/170	13,77/350	21,14/537	4,33/110	16,14/410	39,25/997
18"/450	5,98/152	21,49/546	6,70/170	16,53/420	23,19/589	4,37/111	21,65/550	44,09/1120
20"/500	5,98/152	24,40/620	6,70/170	17,71/450	25,55/649	4,37/111	21,65/550	47,63/1210
24"/600	7,00/178	28,11/714	6,70/170	20,86/530	29,45/748	4,37/111	21,65/550	54,68/1389

Reserves the right to change specifications without notice

OBX 02/13 Revision 0

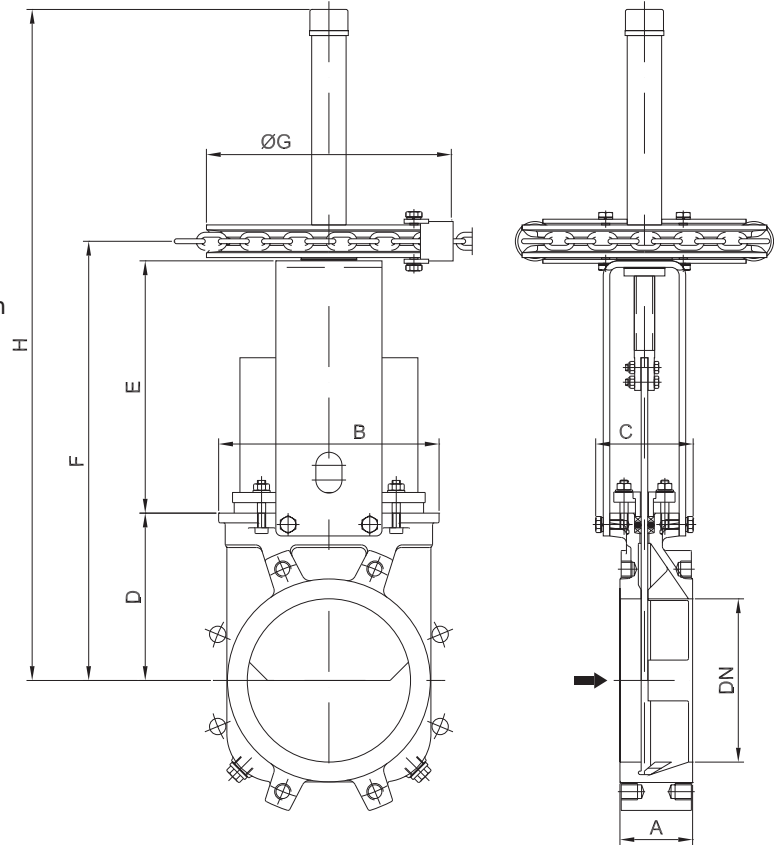
XC(SER.14)-7

ORBINOX CANADA, ORBINOX USA, ORBINOX BRAZIL, ORBINOX SPAIN, ORBINOX UK, ORBINOX FRANCE, ORBINOX GERMANY, ORBINOX INDIA, ORBINOX CHINA, ORBINOX S.E.A.

www.orbinox.com

MODEL**XC****SERIES 14****CHAINWHEEL**

- Recommended for elevated installations.
- Consists of:
 - Chainwheel: Epoxy coated Cast Iron
 - Stem
 - Stem nut
 - Stem protector
- Available from DN 2"/50mm to DN 24"/600mm
- Options:
 - Locking Device
 - Extension
 - Non-rising Stem



DN(" /mm)	A	B	C	D	E	F	ØG	H
2"/50	1,81/46	4,88/124	3,94/100	4,13/105	5,07/129	9,96/253	8,86/225	16,69/424
2,5"/65	1,81/46	5,47/139	3,94/100	4,13/115	5,79/146	11,02/280	8,86/225	17,75/451
3"/80	2,51/64	6,06/154	3,94/100	4,88/124	6,37/162	12,00/305	8,86/225	18,74/476
4"/100	2,51/64	6,85/174	3,94/100	5,52/140	7,36/187	13,66/347	8,86/225	20,39/518
5"/125	2,75/70	7,55/192	3,94/100	5,90/150	8,30/211	14,96/380	8,86/225	23,66/601
6"/150	2,99/76	8,54/217	3,94/100	6,70/170	9,33/237	16,77/426	8,86/225	25,47/647
8"/200	3,50/89	10,63/270	4,80/122	8,07/205	12,16/309	21,18/538	11,81/300	32,36/822
10"/250	4,48/114	12,84/326	6,70/170	9,44/240	14,33/364	24,72/628	11,81/300	39,84/1012
12"/300	4,48/114	14,96/380	6,70/170	11,02/280	16,30/414	28,26/718	11,81/300	43,38/1102
14"/350	5/127	17,24/438	6,70/170	12,59/320	19,13/486	32,99/838	17,87/454	51,37/1305
16"/400	5,51/140	19,40/493	6,70/170	13,77/350	21,10/536	36,14/918	17,87/454	54,52/1385
18"/450	5,98/152	21,49/546	6,70/170	16,53/420	23,15/588	40,94/1040	17,87/454	62,08/1577
20"/500	5,98/152	24,40/620	6,70/170	17,71/450	25,51/648	44,48/1130	17,87/454	65,43/1662
24"/600	7,00/178	28,11/714	6,70/170	20,86/530	29,44/748	51,57/1310	17,87/454	77,24/1962

Reserves the right to change specifications without notice

OBX 02/13 Revision 0

XC(SER.14)-8

ORBINOX CANADA, ORBINOX USA, ORBINOX BRAZIL, ORBINOX SPAIN, ORBINOX UK, ORBINOX FRANCE, ORBINOX GERMANY, ORBINOX INDIA, ORBINOX CHINA, ORBINOX S.E.A.

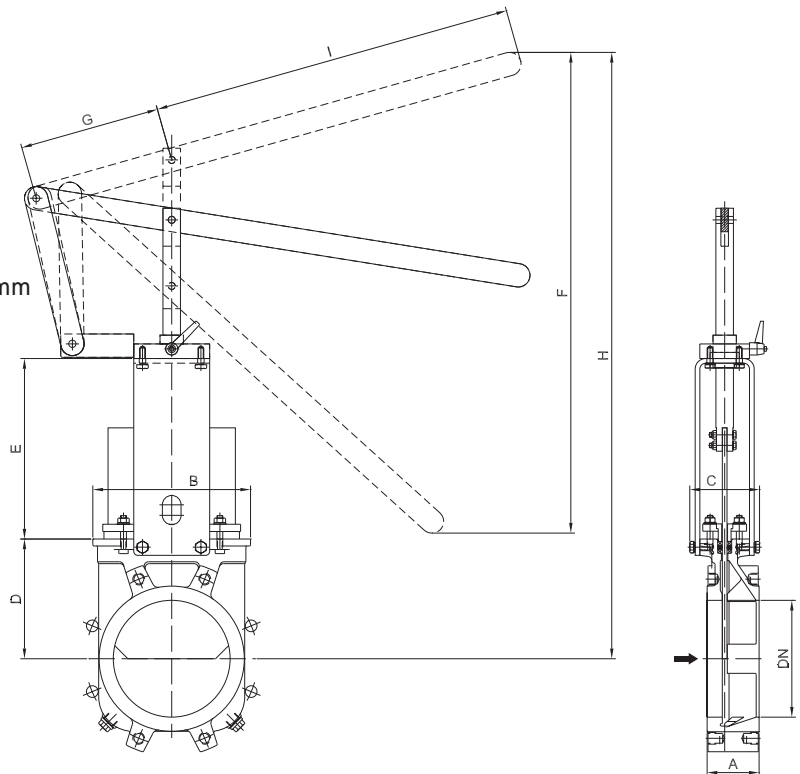
www.orbinox.com

MODEL**XC****SERIES 14****LEVER**

- Recommended for quick opening and closing.

- Consists of:
 - Lever
 - Stem
 - Yoke Sleeve
 - Lever Lock

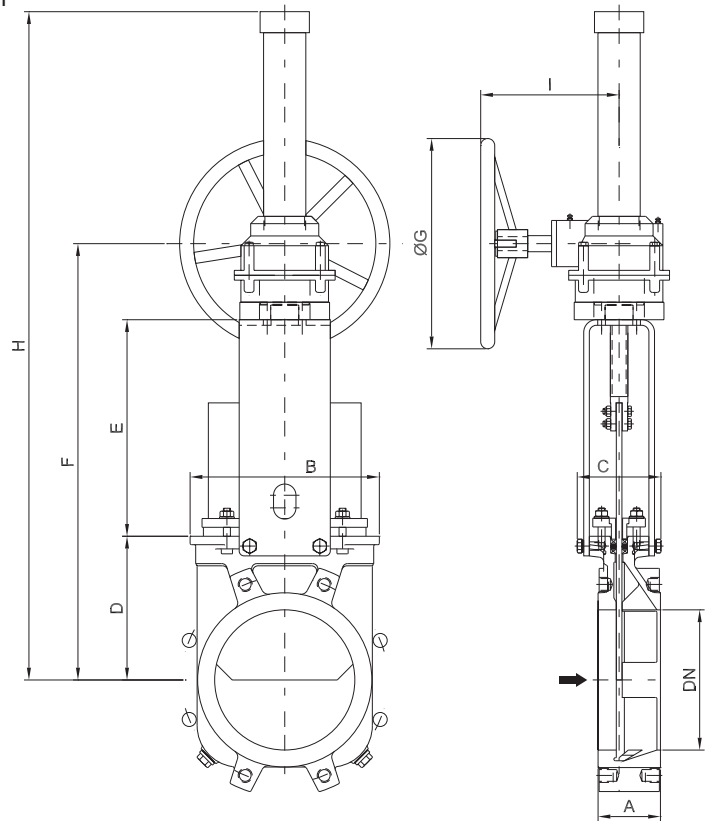
- Available from DN 2"/50mm to DN 12"/300mm



DN	A	B	C	D	E	F	G	H	I
2"/50	1,81/46	4,88/124	3,94/100	4,13/105	5,08/129	10,08/256	5,90/150	16,06/408	12,40/315
2,5"/65	1,81/46	5,47/139	3,94/100	4,13/115	5,75/146	10,19/259	5,90/150	17,12/435	12,40/315
3"/80	2,51/64	6,06/154	3,94/100	4,88/124	6,38/162	12,09/307	5,90/150	20,03/509	12,40/315
4"/100	2,51/64	6,85/174	3,94/100	5,52/140	7,36/187	14,88/378	5,90/150	25,08/637	16,33/415
5"/125	2,75/70	7,55/192	3,94/100	5,90/150	8,30/211	17,28/439	5,90/150	29,72/755	16,33/415
6"/150	2,99/76	8,54/217	3,94/100	6,70/170	9,33/237	20,82/529	5,90/150	35,03/890	16,33/415
8"/200	3,50/89	10,63/270	4,80/122	8,07/205	12,16/309	24,40/620	9,25/235	40,86/1038	24,40/620
10"/250	4,48/114	12,84/326	6,70/170	9,44/240	14,33/364	32,36/822	9,25/235	51,03/1297	24,40/620
12"/300	4,48/114	14,96/380	6,70/170	11,02/280	16,30/414	39,17/995	9,25/235	61,33/1558	24,40/620

MODEL**XC****SERIES 14****GEAR**

- Recommended for valves larger than DN 14"/350mm and working pressures greater than 50psi/3.5 kg/cm²
- Consists of:
 - Stem
 - Yoke
 - Bevel Gear Actuator with Handwheel (Standard Ratio 4:1)
- Available from DN 8"/200mm to DN 24"/600mm
- Options:
 - Locking device
 - Extension
 - Chainwheel
 - Non-rising stem

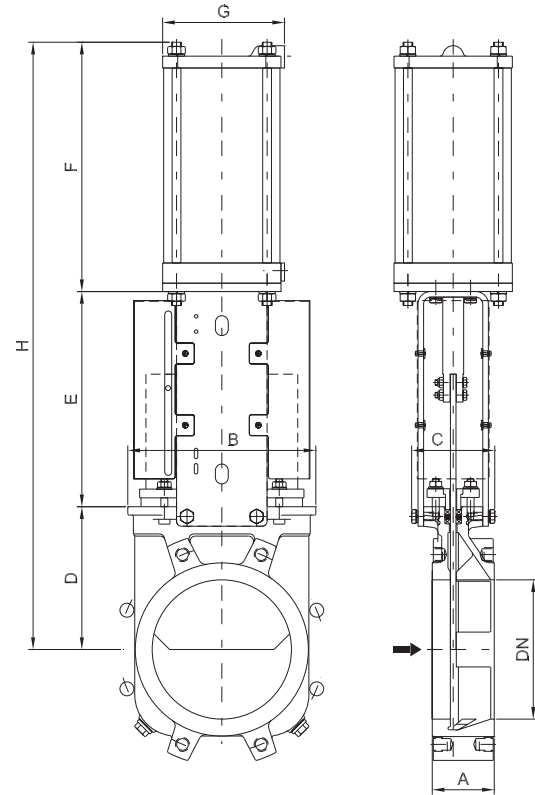


DN("/mm)	A	B	C	D	E	F	ØG	H	I
8"/200	3,50/89	10,63/270	4,80/122	8,07/205	12,16/309	24,52/623	11,81/300	37,95/964	7,79/198
10"/250	4,48/114	12,84/326	6,70/170	9,44/240	14,33/364	28,07/713	11,81/300	41,50/1054	7,79/198
12"/300	4,48/114	14,96/380	6,70/170	11,02/280	16,30/414	31,61/803	11,81/300	45,03/1144	7,79/198
14"/350	5/127	17,24/438	6,70/170	12,59/320	19,68/500	35,59/904	17,72/450	60,82/1545	8,58/218
16"/400	5,51/140	19,40/493	6,70/170	13,77/350	21,65/550	38,74/984	17,72/450	64,02/1626	8,58/218
18"/450	5,98/152	21,49/546	6,70/170	16,53/420	23,54/598	43,38/1102	17,72/450	68,58/1742	8,58/218
20"/500	5,98/152	24,40/620	6,70/170	17,71/450	25,90/658	46,93/1192	17,72/450	72,16/1833	8,58/218
24"/600	7,00/178	28,11/714	6,70/170	20,86/530	29,84/758	54,02/1372	17,72/450	79,29/2014	8,58/218

MODEL**XC****SERIES 14**

PNEUMATIC CYLINDER

- The standard pneumatic actuator (double acting on-off cylinder) consists of:
 - DN 50-250: Aluminum barrels
 - DN \geq 300: Composite barrels
 - Stainless Steel (AISI 304) piston rod
 - Nitrile coated steel piston
- Available in DN 2"/50mm to DN 24"/600mm
- Supply Pressure: minimum 50psi/(3.5 kg/cm²) - maximum 150psi/(10 kg/cm²)
- Actuator designed with 6 kg/cm² air supply
Reinforced design of support plates (U-type) is standard starting from DN 10"/250mm.
- Options:
 - Hard anodized jacket and covers
 - Over/Undersized cylinder
 - Stainless Steel jacket and covers
 - Manual override)
 - Fail safe system
 - Travel stops
- Instrumentation (on request):
 - Positioners
 - Flow regulators
 - Solenoid valves
 - Air preparation units



DN(" /mm)	A	B	C	D	E	F	G	H	Weight (lbs./kg.)	Standard Cyl.	Connect.
2"/50	1,81/46	4,88/124	3,94/100	4,13/105	5,07/129	7,00/178	4,53/115	16,22/412	20/ 9	C4"-2.44"/(100-62)	1/4" G
2,5"/65	1,81/46	5,47/139	3,94/100	4,53/115	5,74/146	7,60/193	4,53/115	17,87/454	22/10	C4"- 3.03"/(100-77)	1/4" G
3"/80	2,53/64	6,06/154	3,94/100	4,88/124	6,37/162	8,31/211	4,53/115	19,56/497	24/11	C4"-3.74"/(100-95)	1/4" G
4"/100	2,52/64	6,85/174	3,94/100	5,52/140	7,36/187	9,09/231	4,53/115	21,96/558	30/14	C4"-4.52"/(100-115)	1/4" G
5"/125	2,75/70	7,55/192	3,94/100	5,90/150	8,30/211	10,67/271	5,51/140	24,88/632	44/20	C5"-5.62"/(125-143)	1/4" G
6"/150	2,99/76	8,54/217	3,94/100	6,69/170	9,33/237	11,65/296	5,51/140	27,87/708	55/25	C5"-6.61"/(125-168)	1/4" G
8"/200	3,50/89	10,62/270	4,80/122	8,07/205	12,16/309	14,09/358	6,89/175	34,33/872	97/44	C6.30"-8.66"/(160-220)	1/4" G
10"/250	4,48/114	12,83/326	6,70/170	9,44/240	14,33/364	16,85/428	8,66/220	40,62/1032	148/67	C8"-10.62"/(200-270)	3/8" G
12"/300	4,48/114	14,96/380	6,70/170	11,02/280	16,29/414	18,82/478	8,66/220	46,14/1172	181/82	C8"-12.60"/(200-320)	3/8" G
14"/350	5/127	17,24/438	6,70/170	12,59/320	19,68/500	21,61/549	10,90/277	53,89/1369	298/135	C10"-14.76"/(250-375)	3/8" G
16"/400	5,51/140	19,40/493	6,70/170	13,77/350	21,65/550	23,58/599	10,90/277	59,01/1499	364/165	C10"-16.73"/(250-425)	3/8" G
18"/450	5,98/152	21,49/546	6,70/170	16,53/420	23,94/598	26,77/680	15,03/382	66,85/1698	485/220	C12"-18.70"/(300-475)	1/2" G
20"/500	5,98/152	24,40/620	6,70/170	17,71/450	25,90/658	28,74/730	15,03/382	72,36/1838	617/280	C12"-20.67"/(300-525)	1/2" G
24"/600	7,00/178	28,11/714	6,70/170	20,86/530	29,84/758	32,68/830	15,03/382	83,38/2118	727/330	C12"-24.60"/(300-625)	1/2" G

Reserves the right to change specifications without notice

OBX 02/13 Revision 0

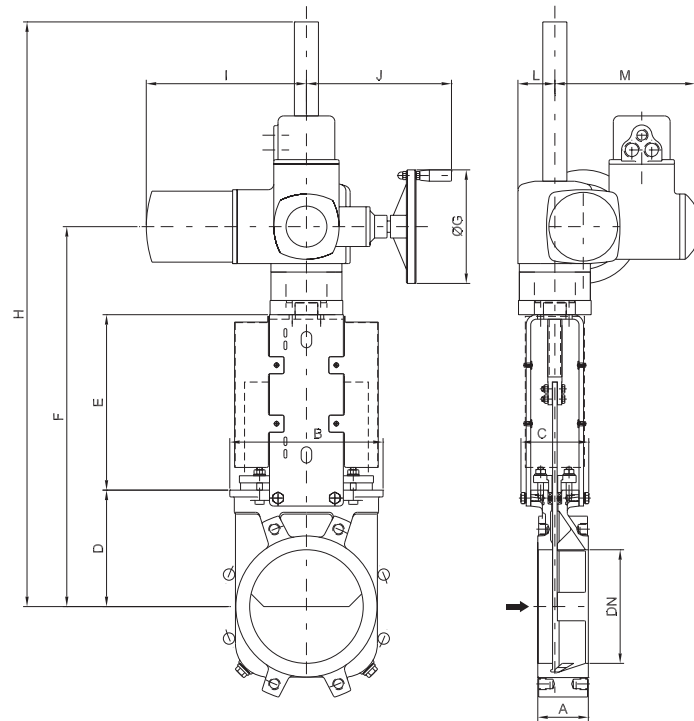
XC(SER.14)-11

ORBINOX CANADA, ORBINOX USA, ORBINOX BRAZIL, ORBINOX SPAIN, ORBINOX UK, ORBINOX FRANCE, ORBINOX GERMANY, ORBINOX INDIA, ORBINOX CHINA, ORBINOX S.E.A.

www.orbinox.com

MODEL**XC****SERIES 14****ELECTRIC ACTUATOR**

- Consists of:
 - Electric motor
 - Rising stem
 - Motor support yoke flange (Acc. to ISO 5210/DIN 3338)
- The standard electric motor is equipped with:
 - Manual emergency operation
 - Limit switches (open/closed)
 - Torque switches
- Available from DN 2"/50mm to DN 24"/600mm
- Wide range of types and makes available to meet customer's needs.
- Option:
 - Non rising stem



DN(“/mm)	A	B	C	D	E	F	H	ØG	I	J	L	M	stemØ x pitch	Torque(ft.LBS/NM)
2"/50	1,81/46	4,88/124	3,94/100	4,13/105	5,07/129	14,84/377	21,53/547	6,30/160	10,43/265	9,80/249	2,44/62	9,33/237	0.79x0.16/20 x 4	7.4/10
2,5"/65	1,81/46	5,47/139	3,94/100	4,53/115	5,79/146	15,90/404	22,60/574	6,30/160	10,43/265	9,80/249	2,44/62	9,33/237	0.79x0.16/20 x 4	7.4/10
3"/80	2,53/64	6,06/154	3,94/100	4,88/124	6,37/162	16,88/429	25,19/640	6,30/160	10,43/265	9,80/249	2,44/62	9,33/237	0.79x0.16/20 x 4	7.4/10
4"/100	2,52/64	6,85/174	3,94/100	5,52/140	7,36/187	18,50/470	25,19/640	6,30/160	10,43/265	9,80/249	2,44/62	9,33/237	0.79x0.16/20 x 4	7.4/10
5"/125	2,75/70	7,55/192	3,94/100	5,90/150	8,30/211	19,84/504	26,53/674	6,30/160	10,43/265	9,80/249	2,44/62	9,33/237	0.79x0.16/20 x 4	11.1/15
6"/150	2,99/76	8,54/217	3,94/100	6,69/170	9,33/237	21,65/550	44,09/1120	6,30/160	10,43/265	9,80/249	2,44/62	9,33/237	0.79x0.16/20 x 4	14.8/20
8"/200	3,50/89	10,62/270	4,80/122	8,07/205	12,16/309	26,33/669	50,74/1289	7,87/200	11,10/282	10,07/256	2,55/65	9,72/247	0.98x0.19/25 x 5	22.2/30
10"/250	4,48/114	12,83/326	6,70/170	9,44/240	14,33/364	29,88/759	52,71/1339	7,87/200	11,10/282	10,07/256	2,55/65	9,72/247	0.98x0.19/25 x 5	33.3/45
12"/300	4,48/114	14,96/380	6,70/170	11,02/280	16,30/414	33,42/849	56,45/1434	7,87/200	11,10/282	10,07/256	2,55/65	9,72/247	0.98x0.19/25 x 5	29.50/40
14"/350	5/127	17,24/438	6,70/170	12,59/320	19,68/500	37,40/950	60,43/1535	7,87/200	11,10/282	10,07/256	3,34/85	9,72/247	1.37x0.24/35 x 6	51.8/70
16"/400	5,51/140	19,40/493	6,70/170	13,77/350	21,65/550	40,55/1030	63,58/1615	7,87/200	11,10/282	10,07/256	3,34/85	9,72/247	1.37x0.24/35 x 6	66.38/90
18"/450	5,98/152	21,49/546	6,70/170	16,53/420	23,54/598	46,96/1193	70,59/1793	12,40/315	15,15/385	12,79/325	3,54/90	11,22/285	1.37x0.24/35 x 6	81.4/110
20"/500	5,98/152	24,40/620	6,70/170	17,72/450	25,90/658	50,51/1283	74,13/1883	12,40/315	15,15/385	12,79/325	3,54/90	11,22/285	1.37x0.24/35 x 6	70.06/95
24"/600	7,00/178	28,11/714	6,70/170	20,86/530	29,84/758	57,59/1463	85,15/2163	12,40/315	15,15/385	12,79/325	3,54/90	11,22/285	1.37x0.24/35 x 6	103.26/140

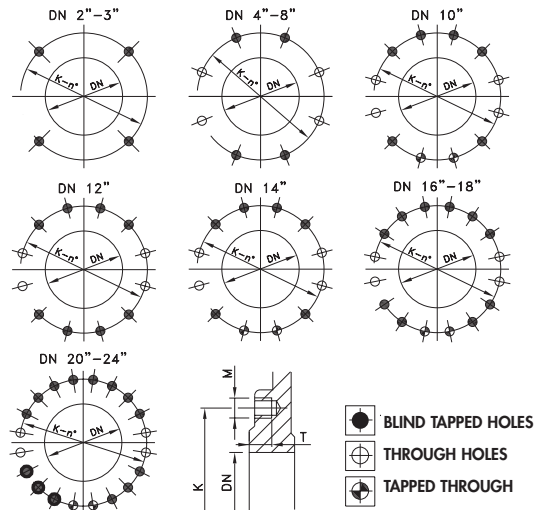
Reserves the right to change specifications without notice

OBX 02/13 | Revision 0**XC(SER.14)-12****ORBINOX CANADA, ORBINOX USA, ORBINOX BRAZIL, ORBINOX SPAIN, ORBINOX UK, ORBINOX FRANCE, ORBINOX GERMANY, ORBINOX INDIA, ORBINOX CHINA, ORBINOX S.E.A.****www.orbinox.com**

FLANGE AND BOLTING DETAILS

ANSI B16.5, class 150

DN	K	n ^o	M	T	◆◆◆
2"	4 3/4"	4	5/8" UNC	5/16"	4 - - - -
2 1/2"	5 1/2"	4	5/8" UNC	5/16"	4 - - - -
3"	6"	4	5/8" UNC	3/8"	4 - - - -
4"	7 1/2"	8	5/8" UNC	7/16"	4 - 4 - -
5"	8 1/2"	8	3/4" UNC	7/16"	4 - 4 - -
6"	9 1/2"	8	3/4" UNC	9/16"	4 - 4 - -
8"	11 3/4"	8	3/4" UNC	9/16"	4 - 4 - -
10"	14 1/4"	12	7/8" UNC	11/16"	6 - 4 - 2
12"	17"	12	7/8" UNC	11/16"	8 - 4 - -
14"	18 3/4"	12	1" UNC	7/8"	6 - 4 - 2
16"	21 1/4"	16	1" UNC	13/16"	10 - 4 - 2
18"	22 3/4"	16	1 1/8" UNC	7/8"	10 - 4 - 2
20"	25"	20	1 1/8" UNC	7/8"	14 - 4 - 2
24"	29 1/2"	20	1 1/4" UNC	15/16"	14 - 4 - 2



EN 1092-2 PN10

DN	K	n ^o	M	T	◆◆◆
50	125	4	M-16	8	4 - - - -
65	145	4	M-16	8	4 - - - -
80	160	8	M-16	9	4 - 4 - -
100	180	8	M-16	11	4 - 4 - -
125	210	8	M-16	11	4 - 4 - -
150	240	8	M-20	14	4 - 4 - -
200	295	8	M-20	14	4 - 4 - -
250	350	12	M-20	18	6 - 4 - 2
300	400	12	M-20	18	8 - 4 - -
350	460	16	M-20	22	10 - 4 - 2
400	515	16	M-24	21	10 - 4 - 2
450	565	20	M-24	22	14 - 4 - 2
500	620	20	M-24	22	14 - 4 - 2
600	725	20	M-27	24	14 - 4 - 2

